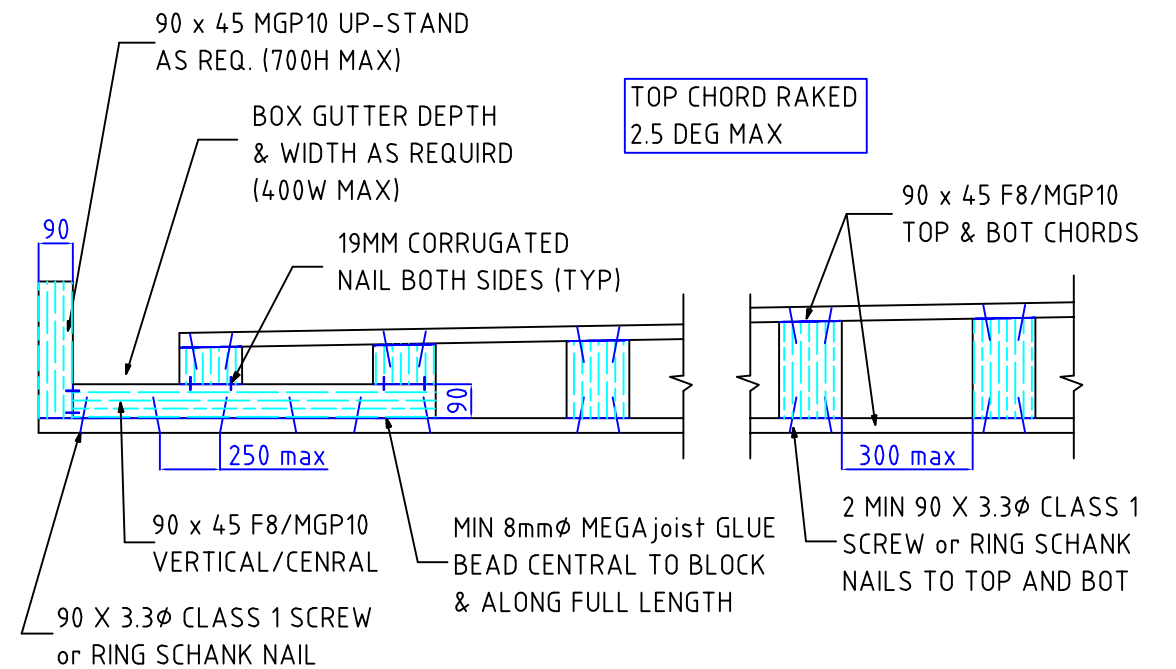


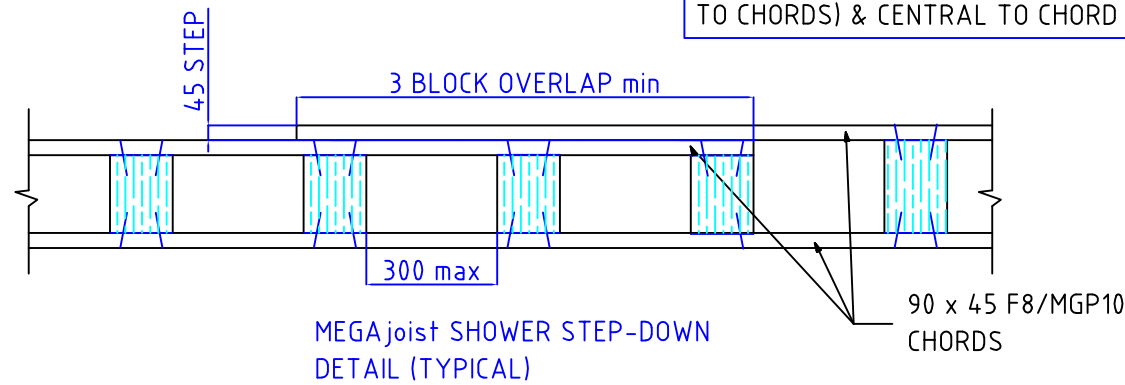
MEGAjoist ASSEMBLY DETAILS (TYPICAL)

NOTE:
ALL WEB BLOCKS 140 x 45 F7
MIN. GRAIN VERTICAL (PERPENDICULAR TO CHORDS) & CENTRAL TO CHORD

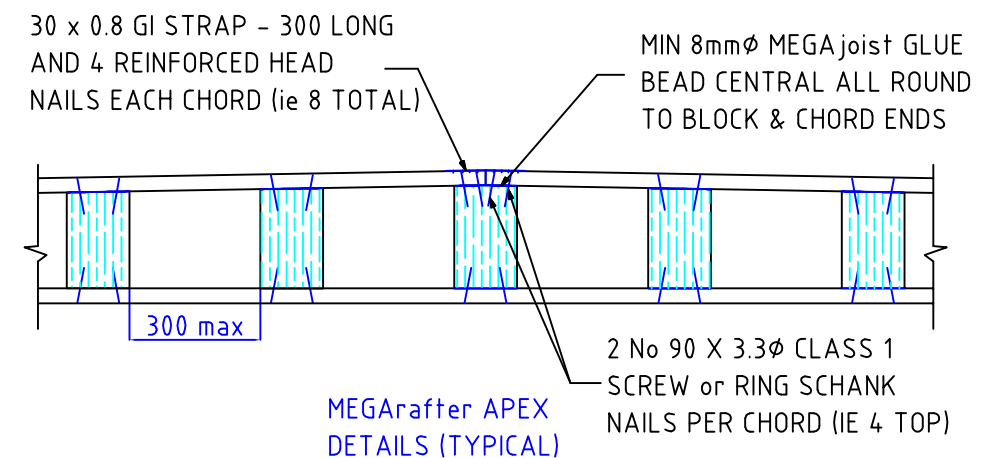
NOTE:
ALL TIMBER USED MUST BE DRY, FREE FROM DIRT, OIL, PAINT OR ANY OTHER SOLVENT THAT MAY AFFECT THE ADHESION.
PRODUCTS SHOULD BE KEPT DRY UNTIL THE ADHESIVE HAS FULLY CURED.



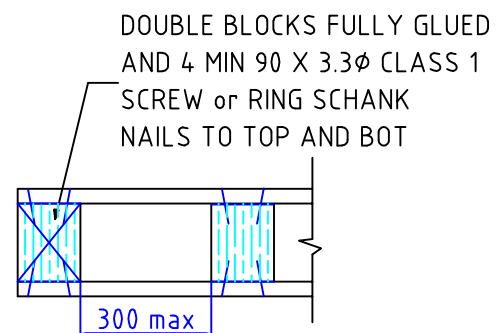
MEGArafter ASSEMBLY DETAILS (TYPICAL)



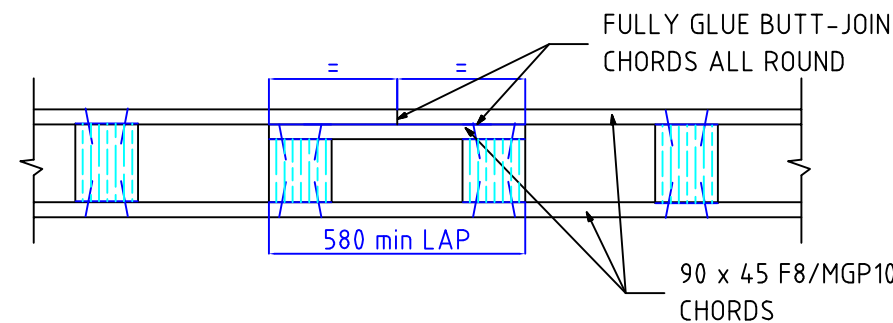
MEGAjoist SHOWER STEP-DOWN DETAIL (TYPICAL)



MEGArafter APEX DETAILS (TYPICAL)

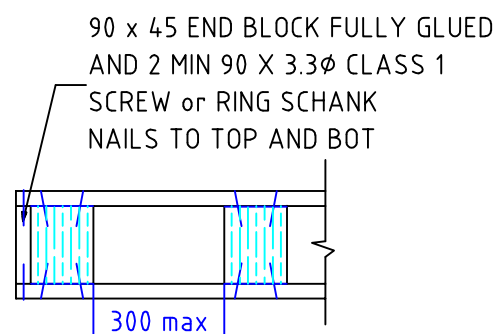


MEGAjoist JOIST HANGER END DETAIL (TYPICAL) OPTION 1

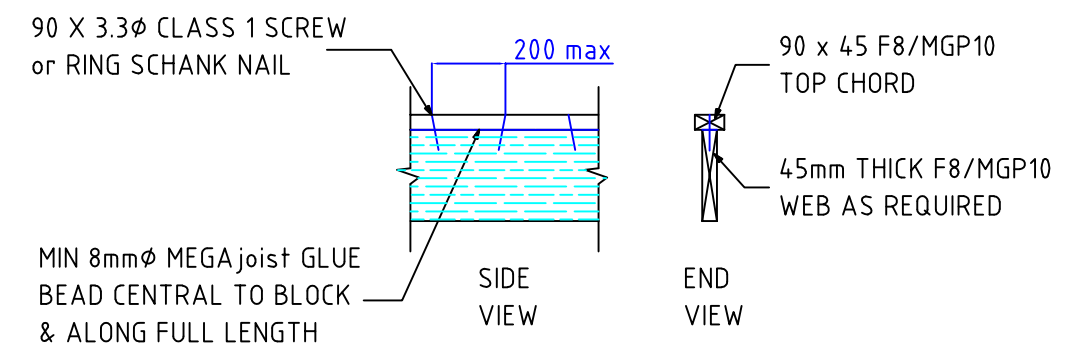


MEGAjoist JOINED CHORD DETAIL (TYPICAL)

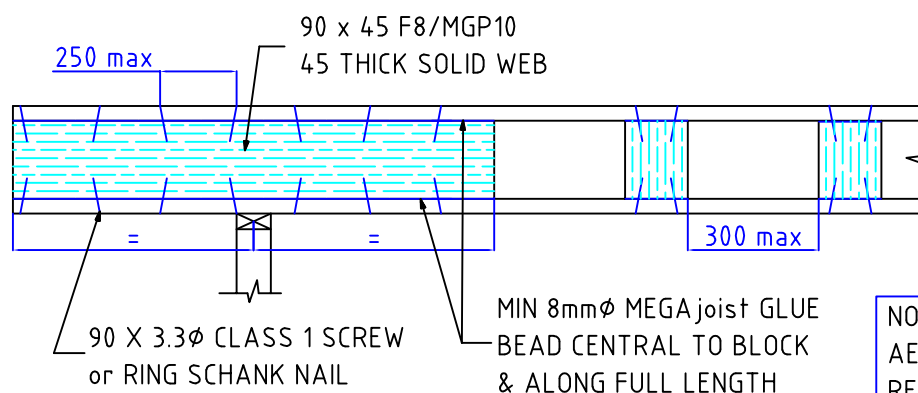
NOTE:
TOP & BOT FLANGE JOINS TO BE AT OPPOSITE ENDS OF TRUSS & 3 BLOCKS MIN FROM TRUSS ENDS.



MEGAjoist JOIST HANGER END DETAIL (TYPICAL) OPTION 2



T-joist ASSEMBLY DETAILS (TYPICAL)



CANTI-LEVERED MEGAjoist DETAIL (TYPICAL)

NOTE:
AES ENGINEERING DESIGN IS REQUIRED FOR ANY CANTILEVER TRUSS.

NOTE:
FOR 3 kPa LIVE LOADS 190 X 45 F7 MIN WEB BLOCKS MUST BE USED.
GRAIN VERTICAL (PERPENDICULAR TO CHORDS) & CENTRAL TO CHORD

FABRICATOR NOTE:
FOR ANY QUESTIONS REGARDING THESE DETAILS OR IF ANY ADDITIONAL DETAILS ARE REQUIRED PLEASE CONTACT THIS OFFICE ON (03) 5981 4960 FOR TECHNICAL ADVICE.